

PRODUCT INFO Heatit Z-Push Wall Controller

FEATURES

- Wireless battery operated wall switch
- Designed for controlling lights, blinds, relays, dimmers etc.
- Fits System 55 frames
- SmartStart
- Controls up to 3 separate groups and 5 devices per group
- 10 scene triggers per rocker
- Easy to install with screws or double-sided adhesive tape
- Firmware update (OTA)
- Supports encryption modes S0, S2 Authenticated Class, S2 Unauthenticated Class

This product is a security-enabled Z-Wave Plus product with encryption. The product must be used with a security-enabled Z-Wave Controller in order to fully utilize the product.

TECHNICAL DATA

Protocol	Z-Wave
Chip	Z-Wave 700 chip
Battery	1 x CR2450 battery
Battery life	Aprox 1 year with default settings and max 10 interactions per day.
Buttons	1, 2 or 3 rockers
Ambient temperature	5°C to 40°C (0°C to 40°C storage)
Humidity	Max 95% RH
Range RF	Min. 40 meters
IP Code	IP 20
Size (LxWxH)	55 x 55 x 14mm

Approvals Z-Wave Plus V2, CE
RoHS 2002/95/EC, 2002/96/EC (WEEE), 1999/5/EC (RTTE)

MAINTENANCE

The device is maintenance-free. Indoor installation.

WARRANTY

2 years

HEATIT Z-PUSH WALL CONTROLLER

- Battery operated wall switch



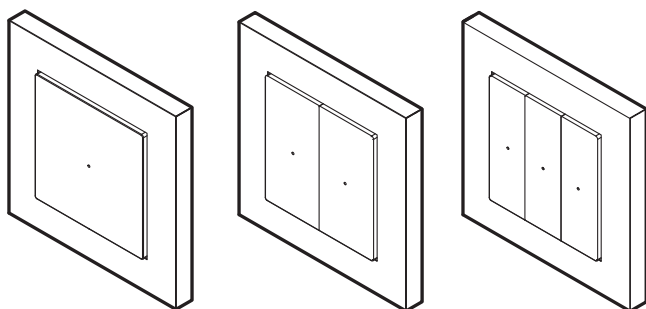
The Heatit Z-Push Wall Controller is a wireless wall mounted Z-Wave Controller. It has mounting options for 1, 2 or 3 rockers, allowing for easy and practical management of your Z-Wave products. The switch can be set up to control scenarios or work in association with other Z-Wave products. Each rocker switch has a dual color LED to indicate button actions.

The Wall Controller is coin cell battery powered. The product is intended primarily for residential applications.

Heatit Z-Push Wall Controller has SmartStart. This feature allows the user to include all devices with SmartStart by scanning the QR codes on the devices. On startup all the devices will automatically be included in the gateway (requires SmartStart compatibility).

The product comes in a matte finish. Fits System 55 frames.

ART. NO.	PRODUCT	COLOR	FREQUENCY
45 126 93	Heatit Z-Push Wall Controller	White RAL 9003	EU 868,4MHz
45 126 65	Heatit Z-Push Plastic Kit	White RAL 9003	
99 305 20	Heatit Z-Push Wall Controller	White RAL 9003	RUS 869,0MHz
99 305 21	Heatit Z-Push Wall Controller	White RAL 9003	AUS 921,4MHz



The Heatit Z-Push Wall Controller is supplied with all the three sets of rockers in the box.

